

JVC

SCHEMATIC DIAGRAMS

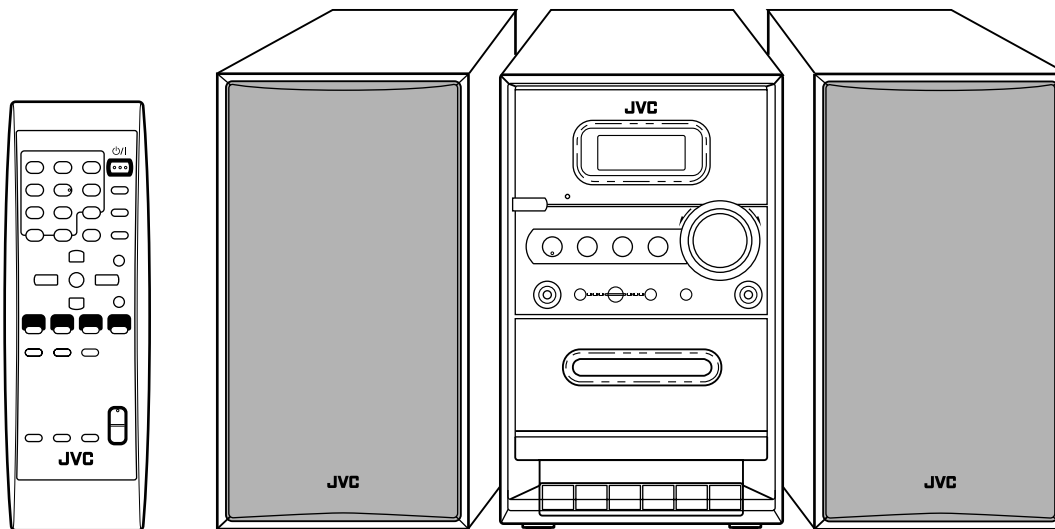
COMPACT COMPONENT SYSTEM

FS-G2

CD-ROM No.SML200503

Area suffix

J ----- U.S.A.
C ----- Canada



COMPACT
disc
DIGITAL AUDIO

MP3
PLAYBACK

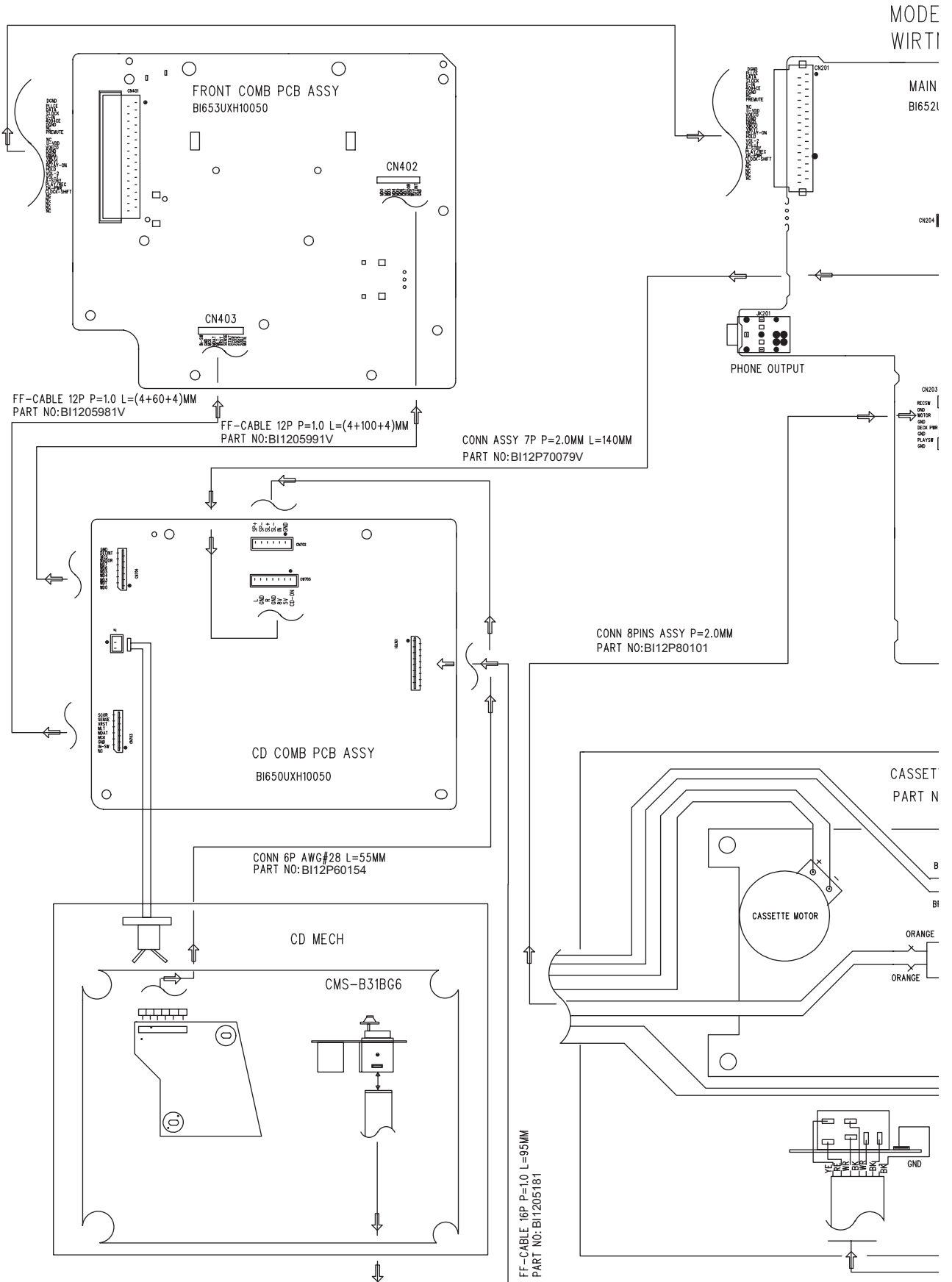
Contents

Wiring diagram □-----□-----□-----	2-1
Block diagram -----	2-3
Standard schematic diagrams -----	2-5
Printed circuit boards -----	2-13 to 18

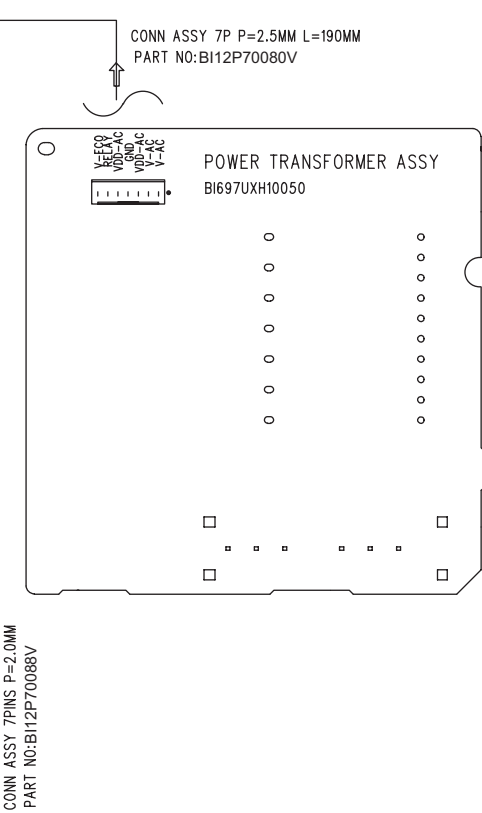
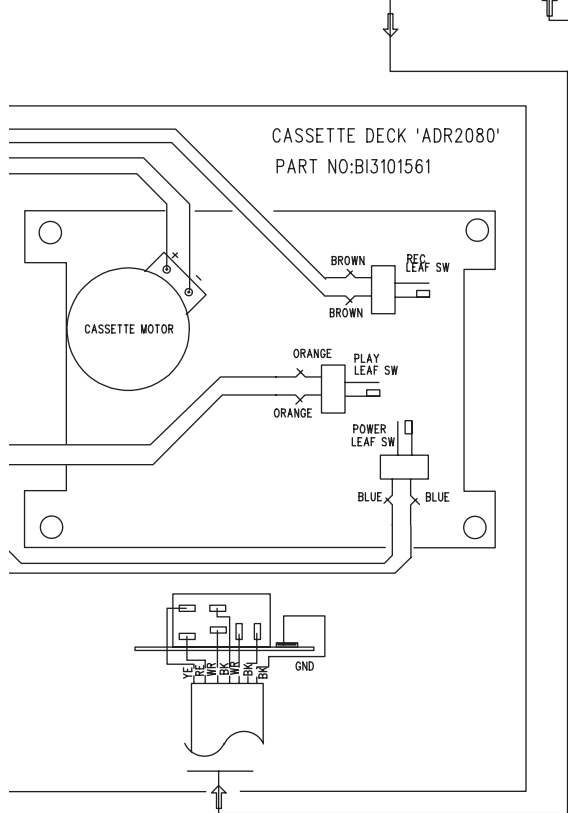
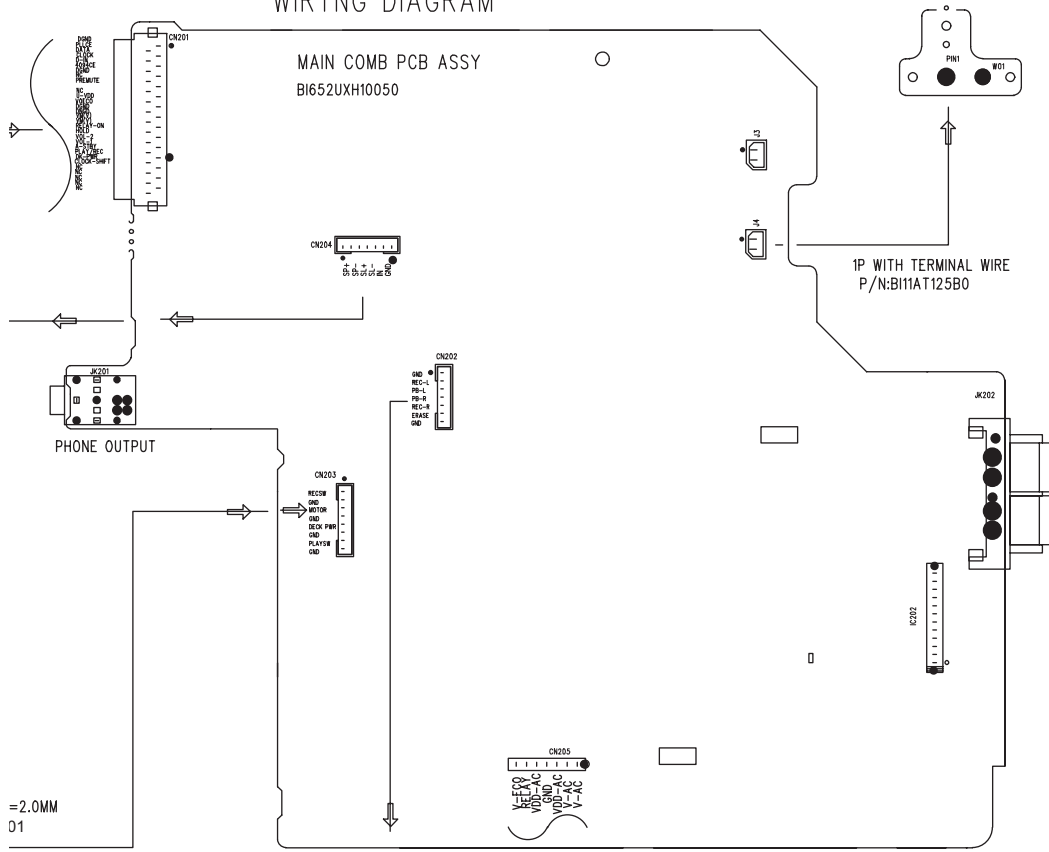
In regard with component parts appearing on the silk-screen printed side (parts side) of the PWB diagrams, the parts that are printed over with black such as the resistor (■), diode (▣) and ICP (●) or identified by the "△" mark nearby are critical for safety.

< MEMO >

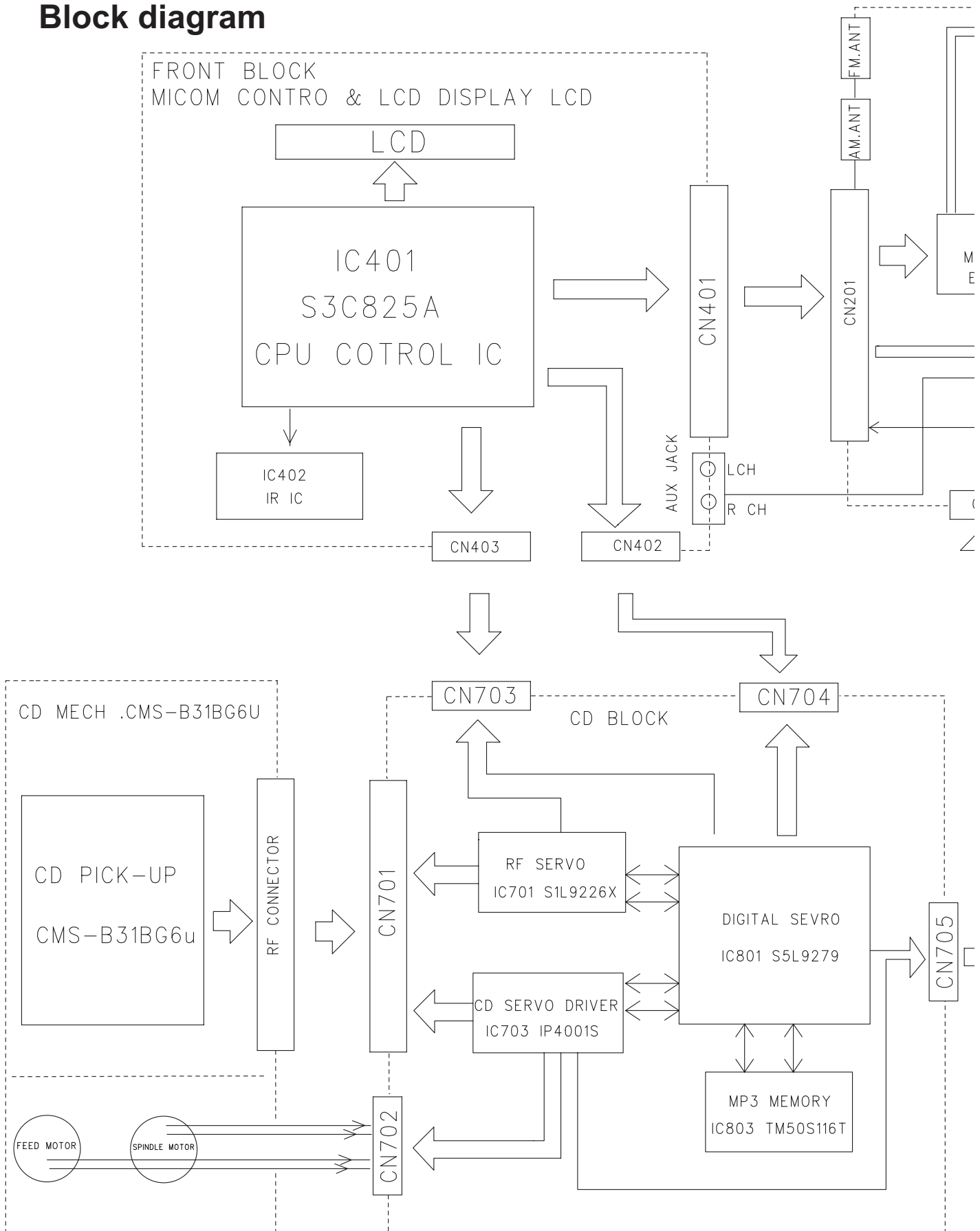
Wiring diagram

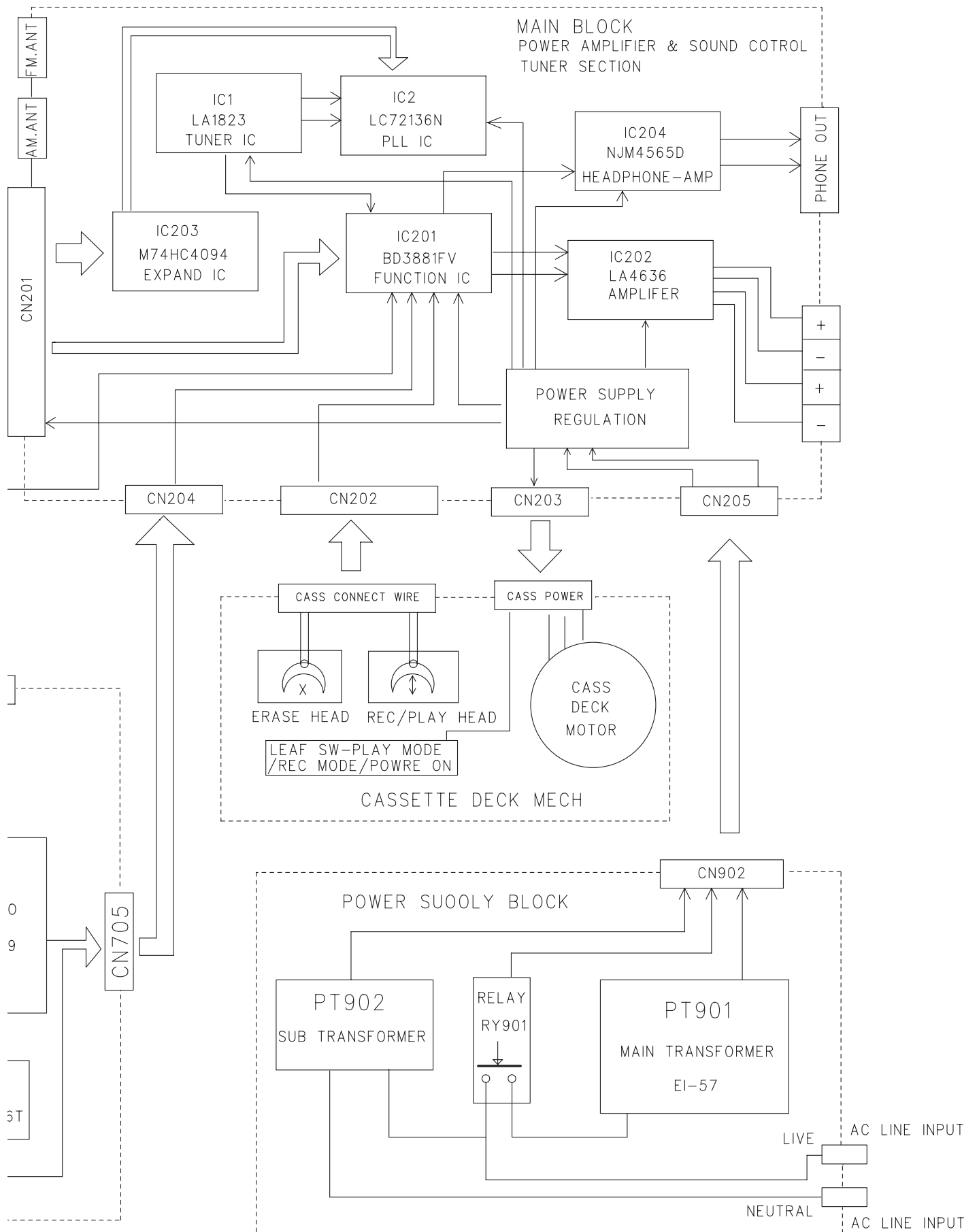


MODEL FS-H100 WIRING DIAGRAM



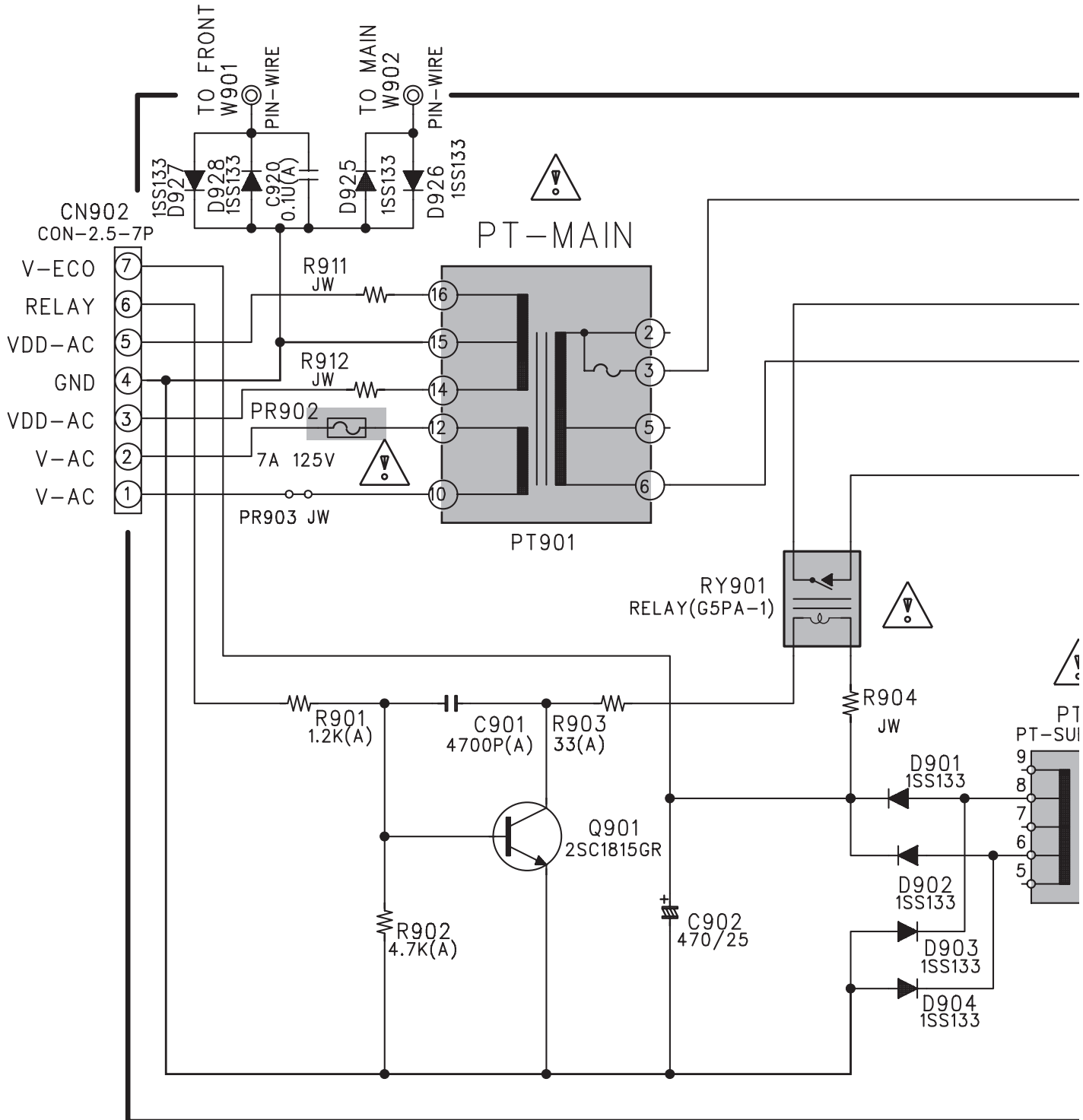
Block diagram

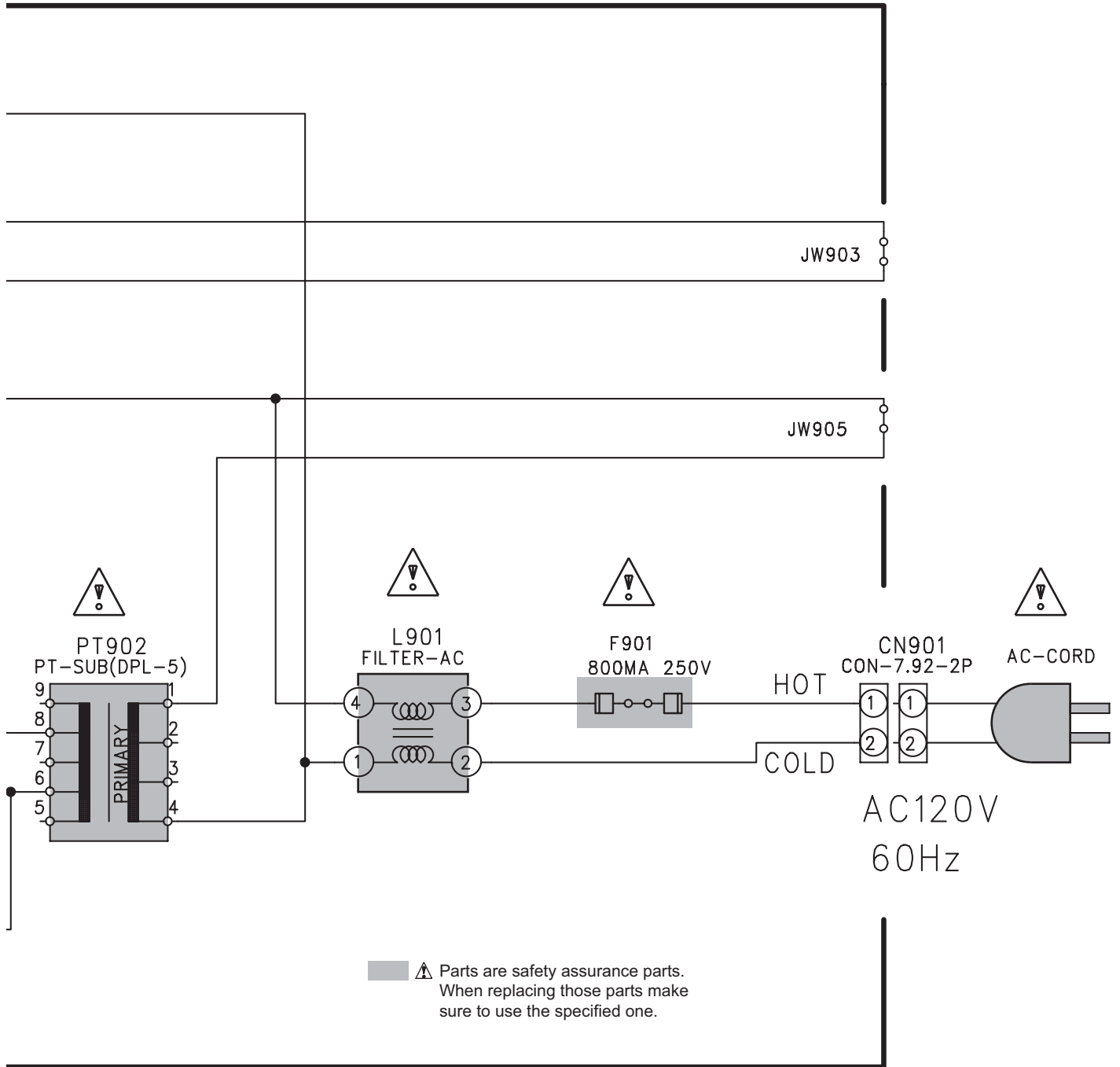




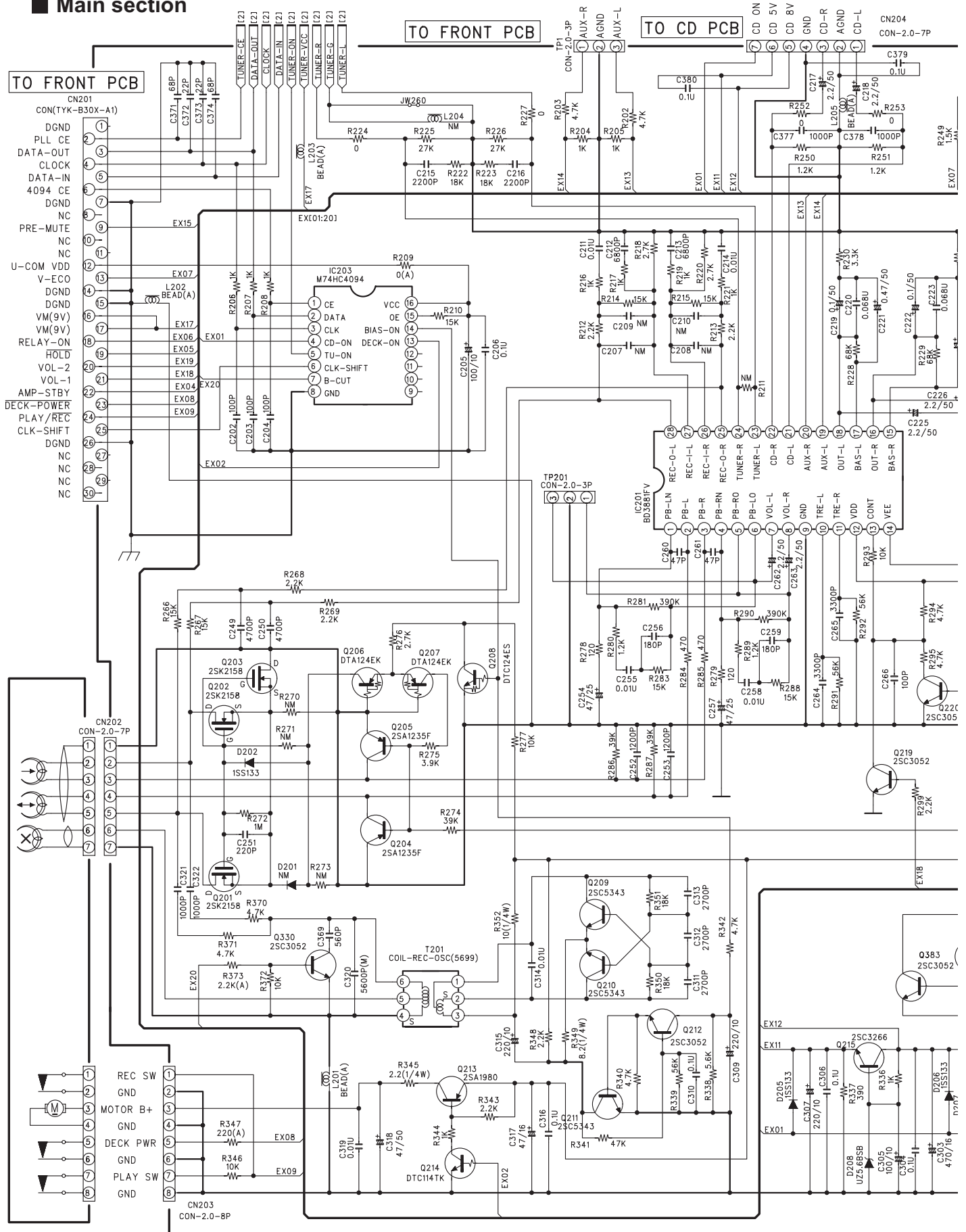
Standard schematic diagrams

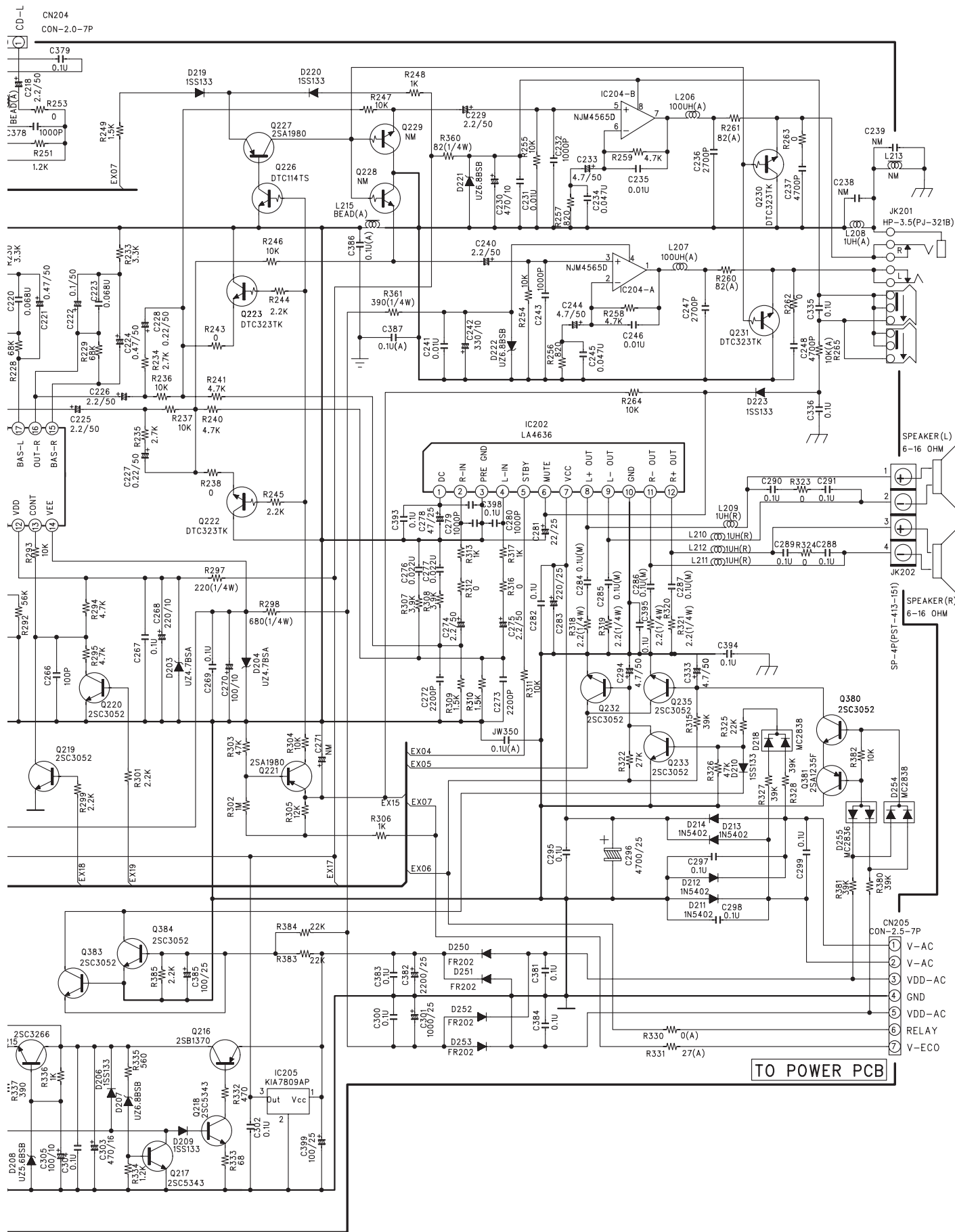
■ Power supply section



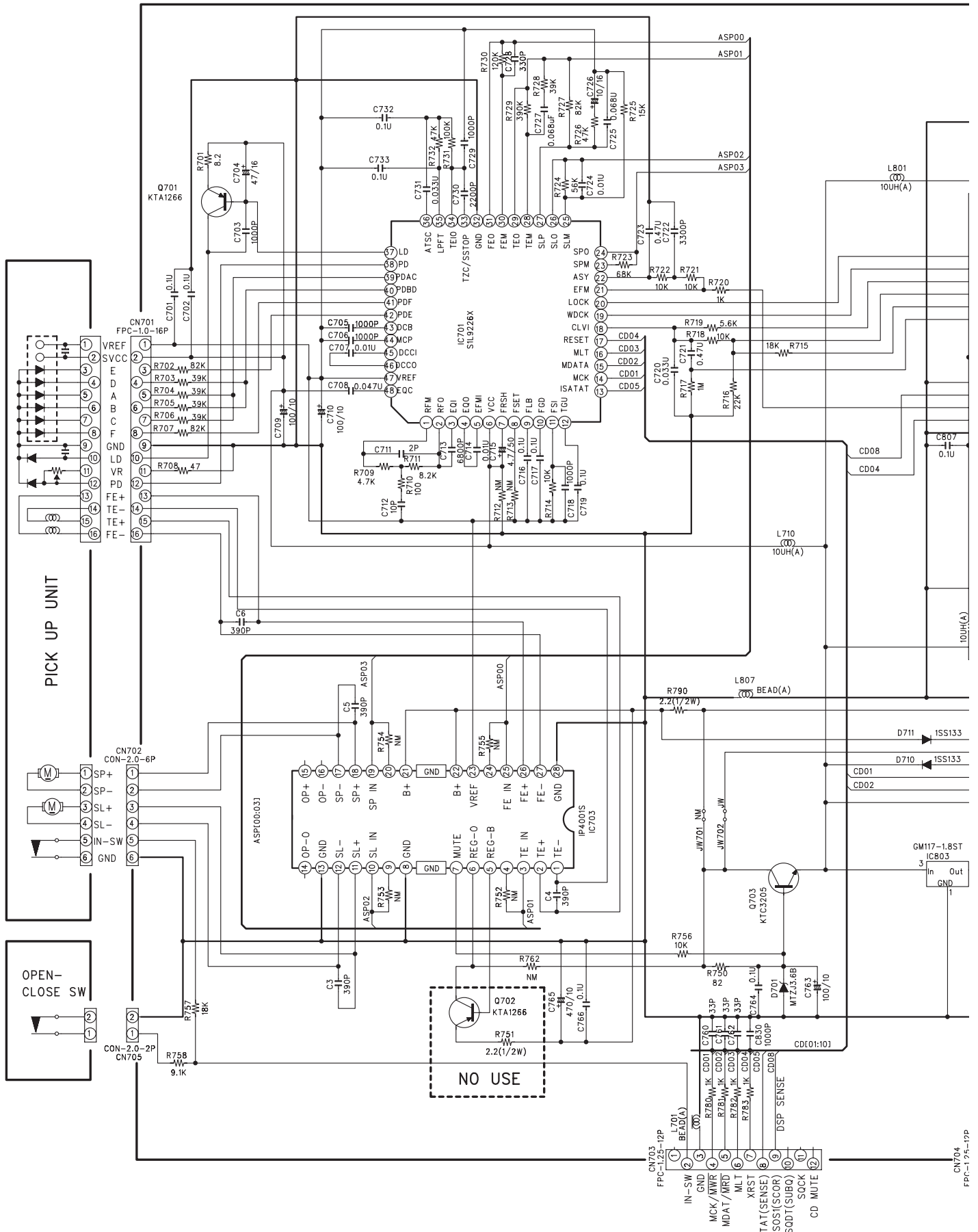


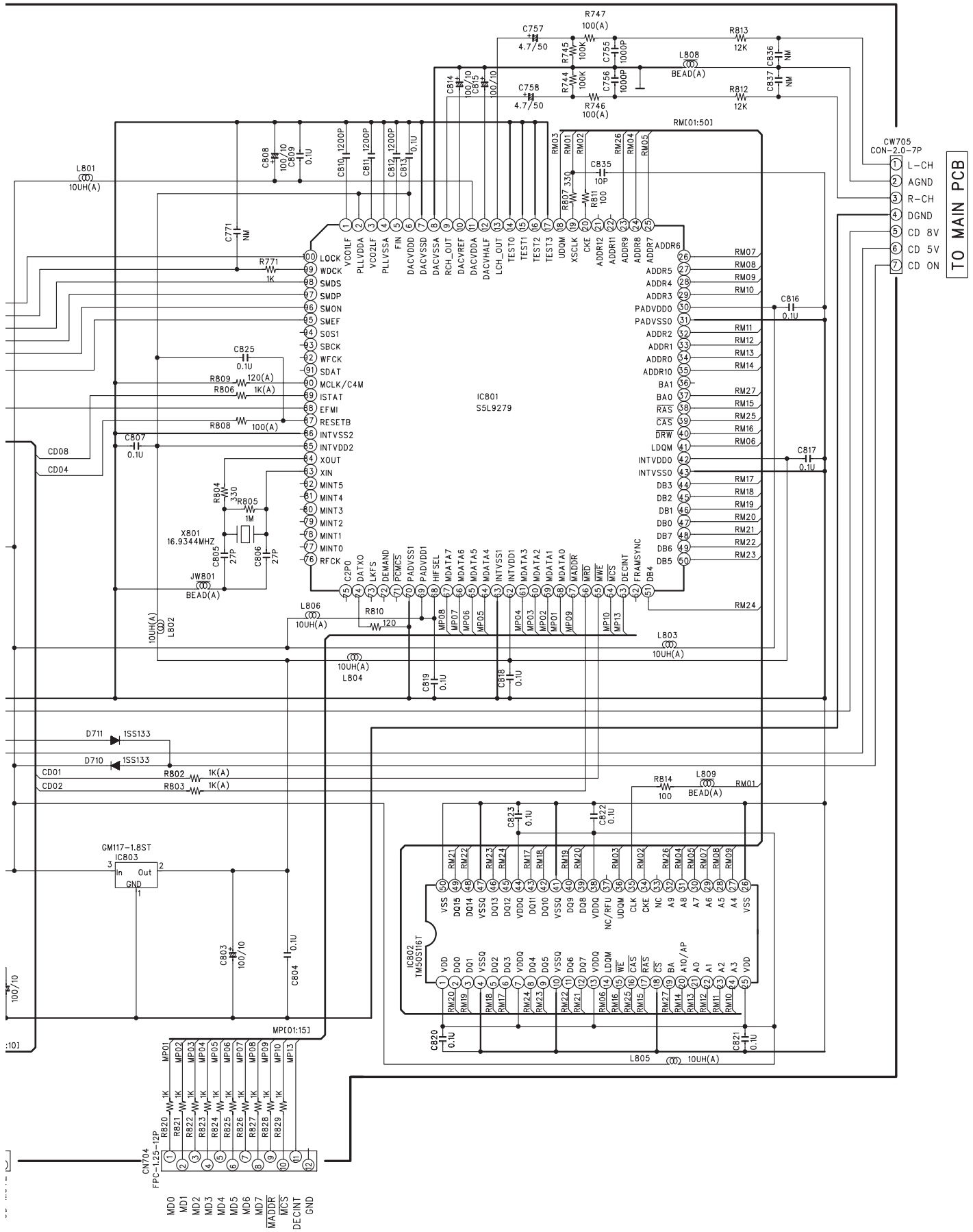
Main section



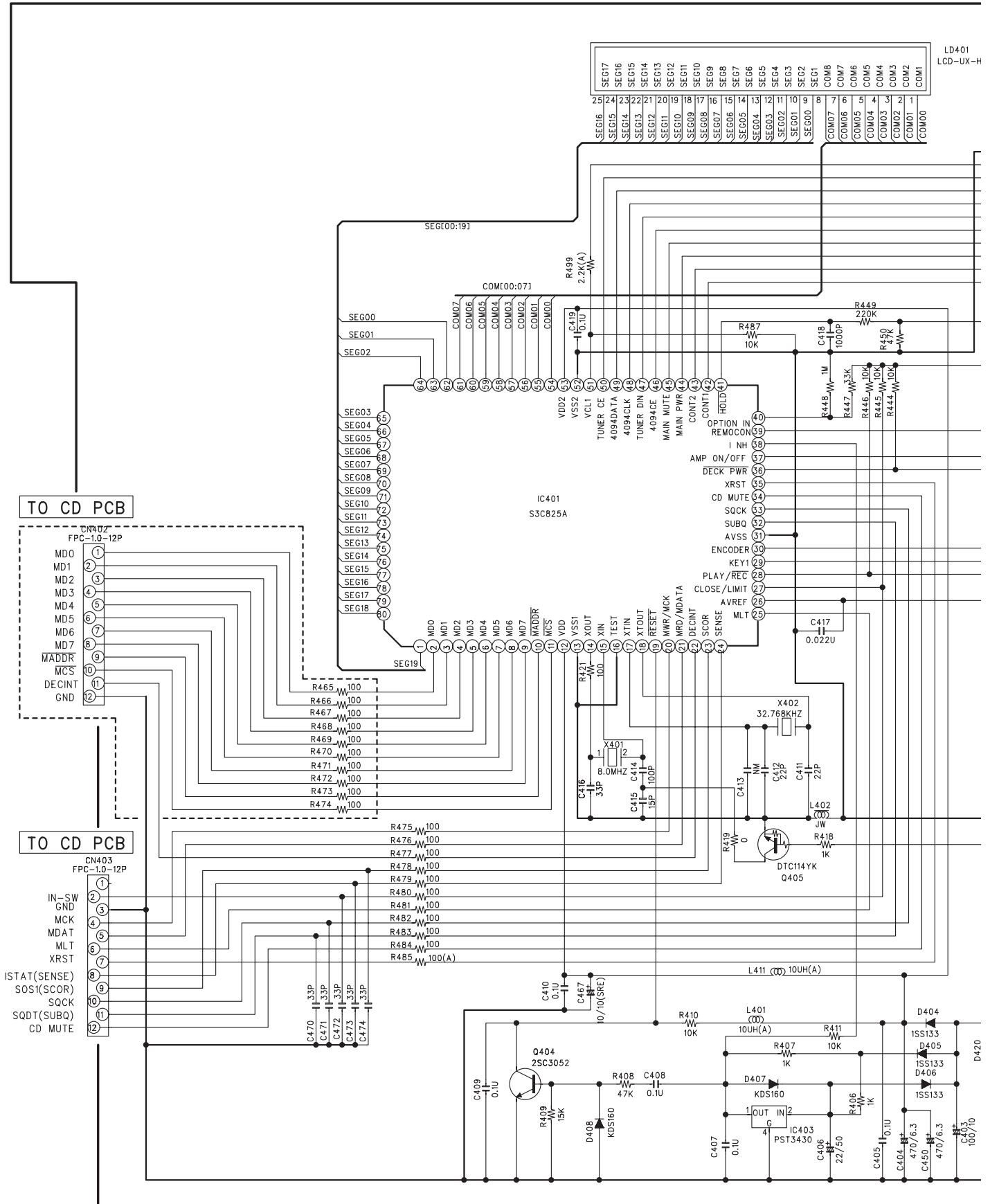


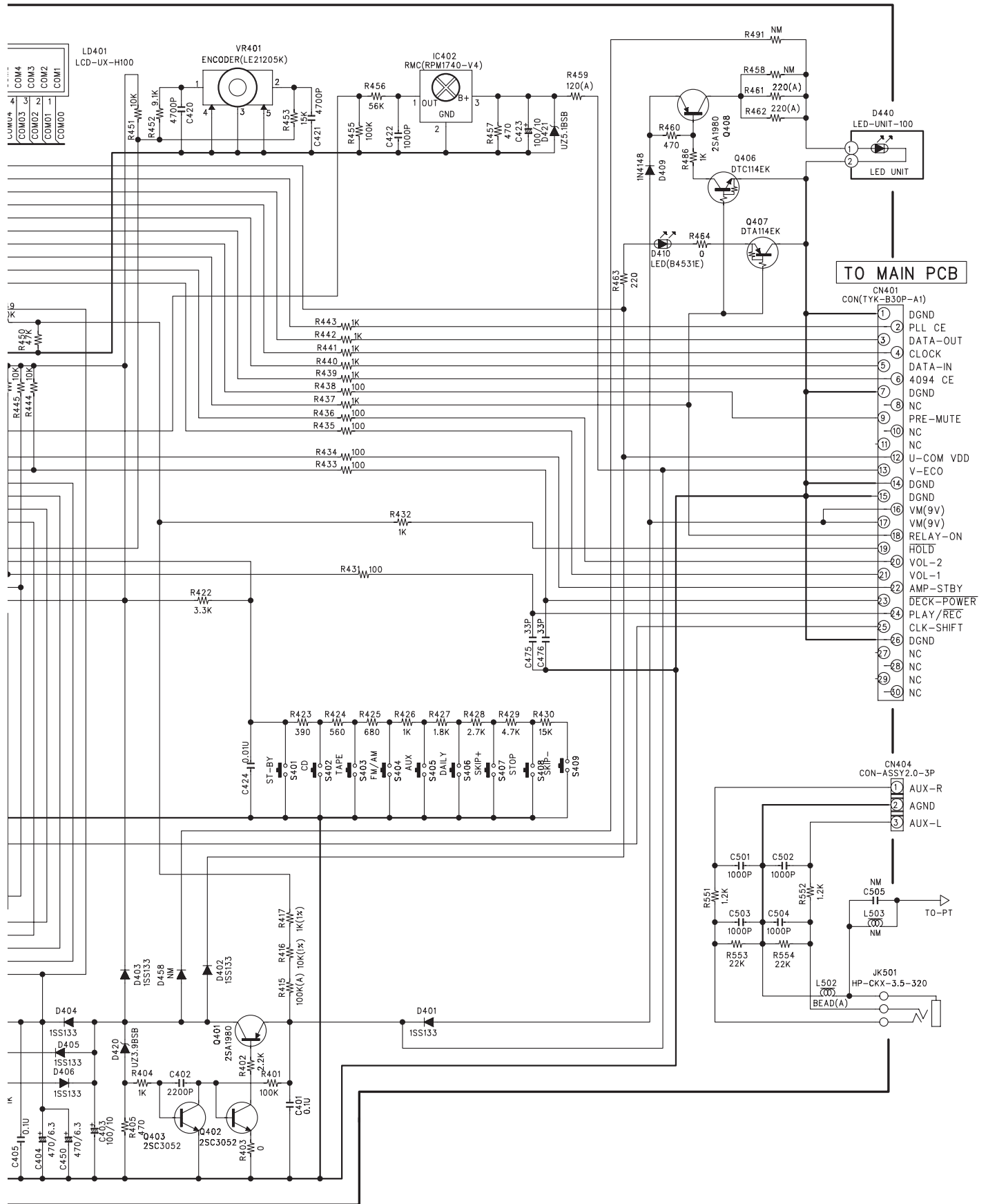
CD section





Front section



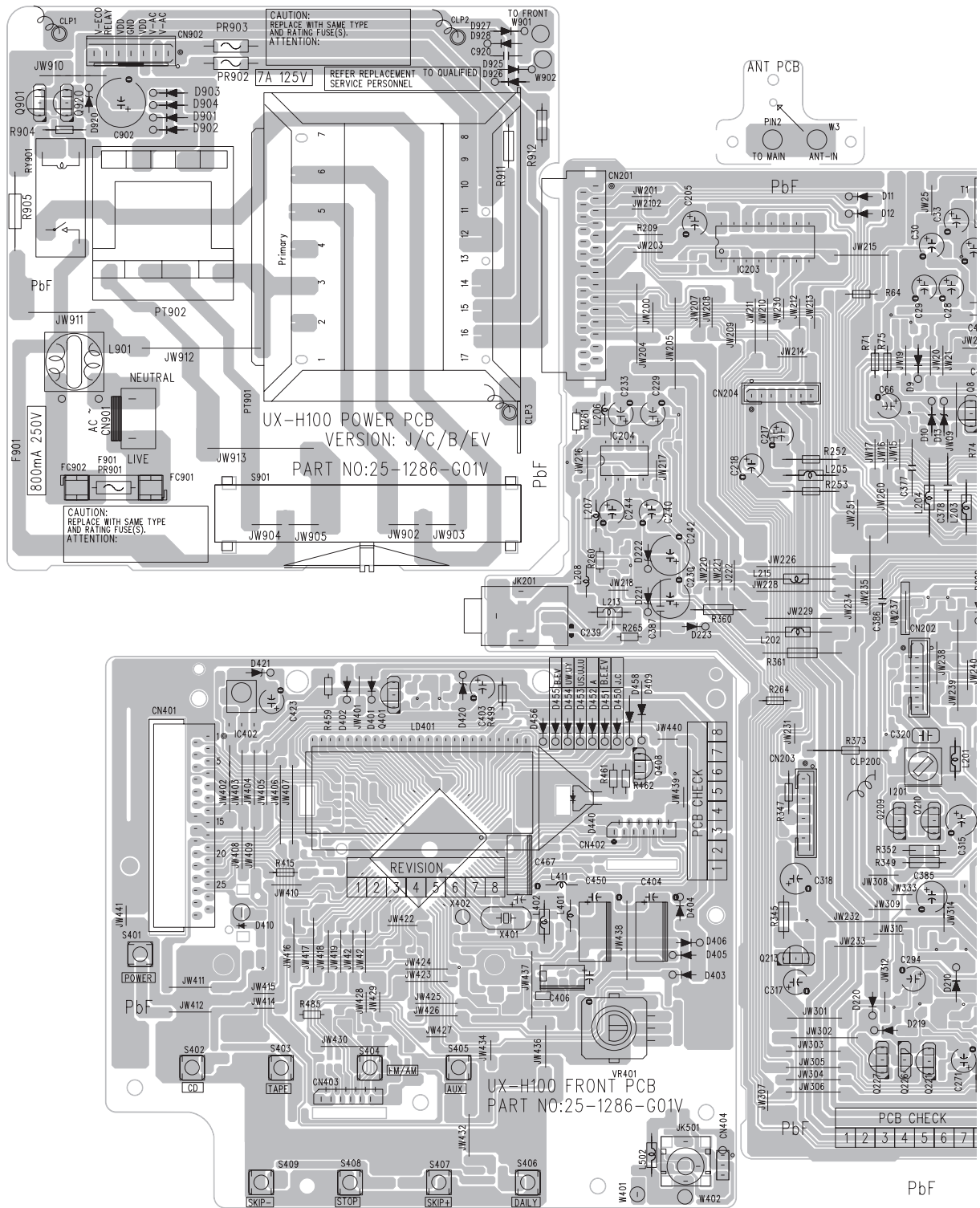


Printed circuit boards

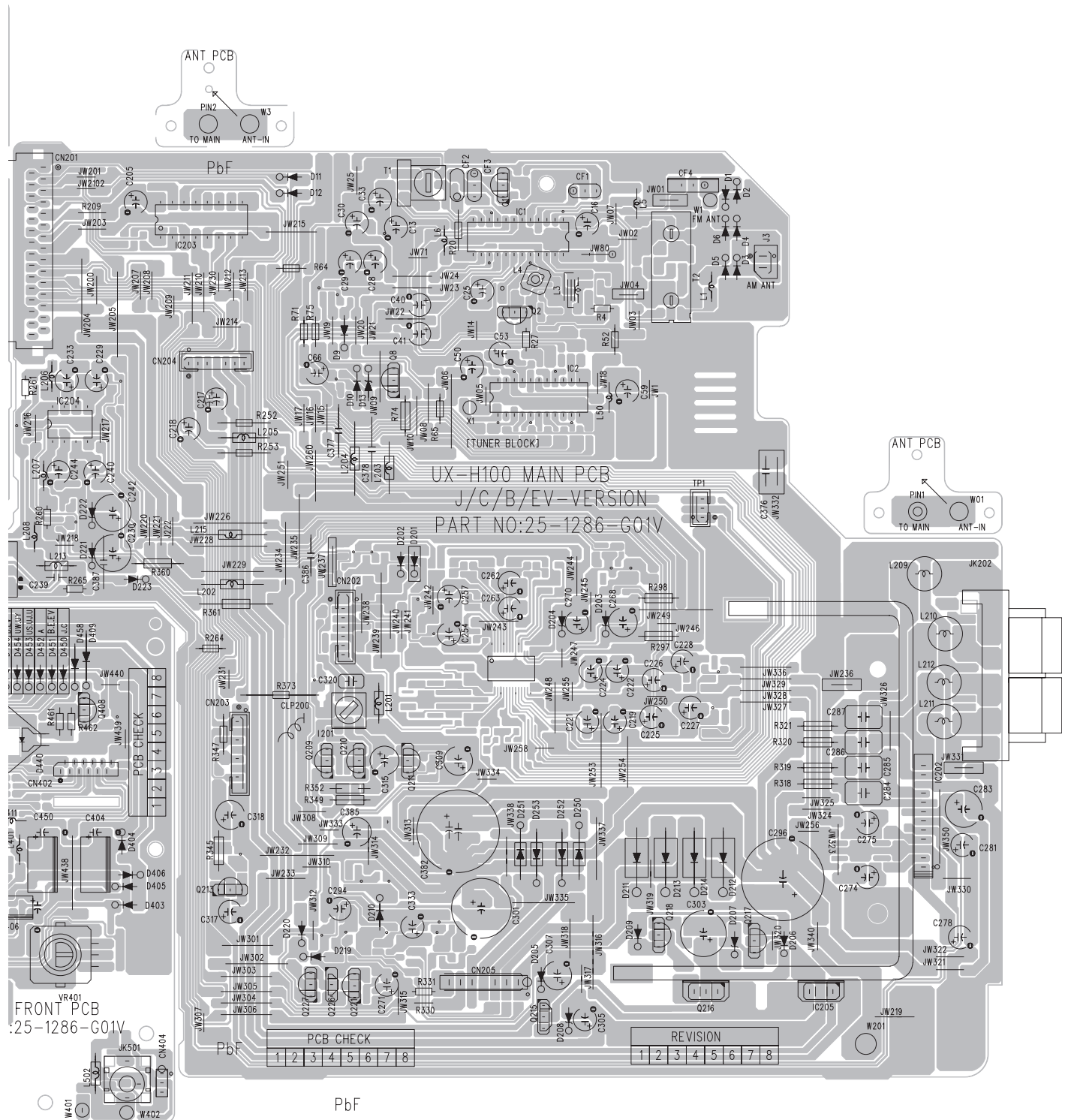
■ Main board

(forward side)

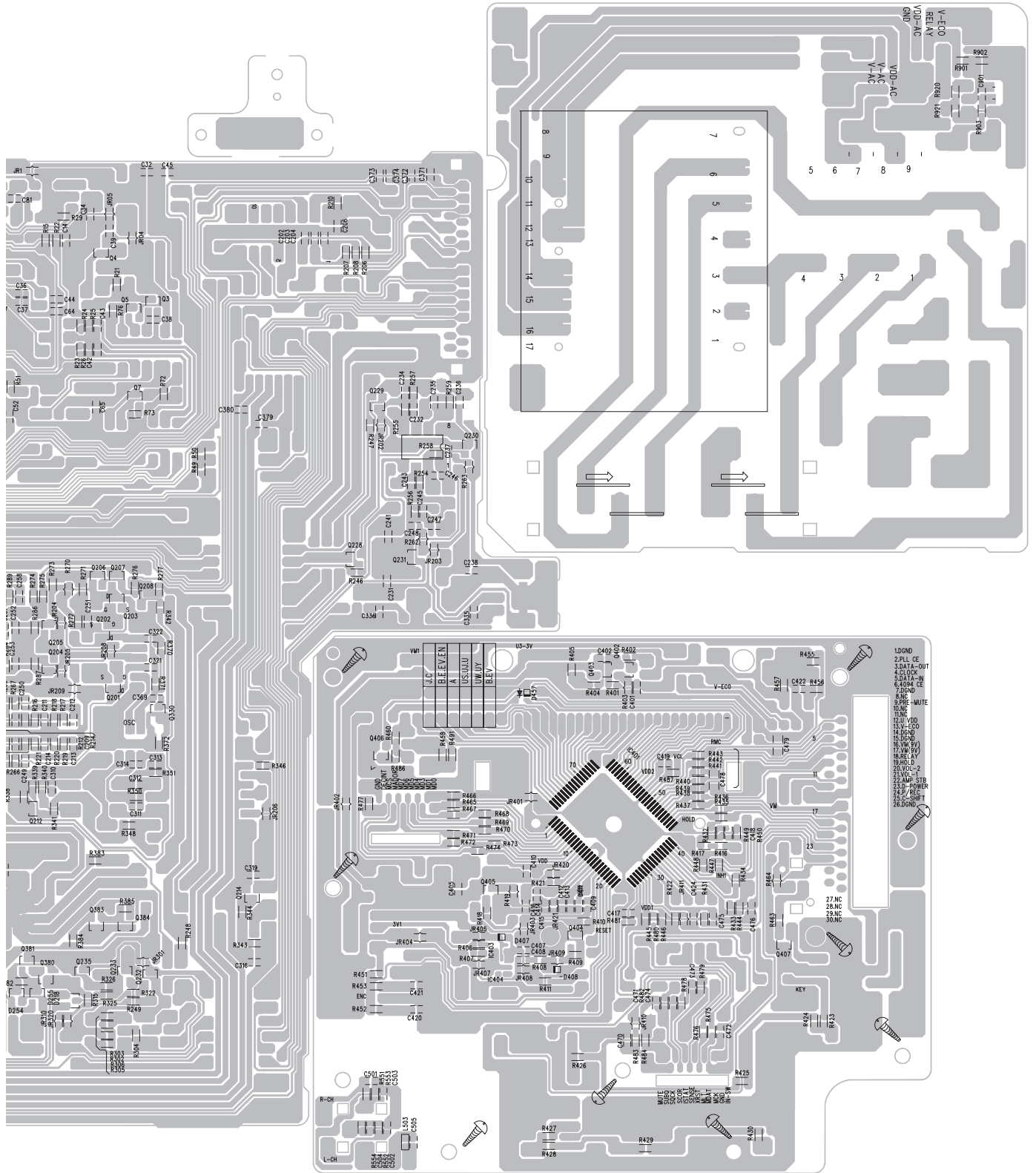
FS-H100 MAIN PWB TOP
(TUNER/TAPE/FUNCTION/AMP)



S-H100 MAIN PWB TOP
 UNER/TAPE/FUNCTION/AMP)

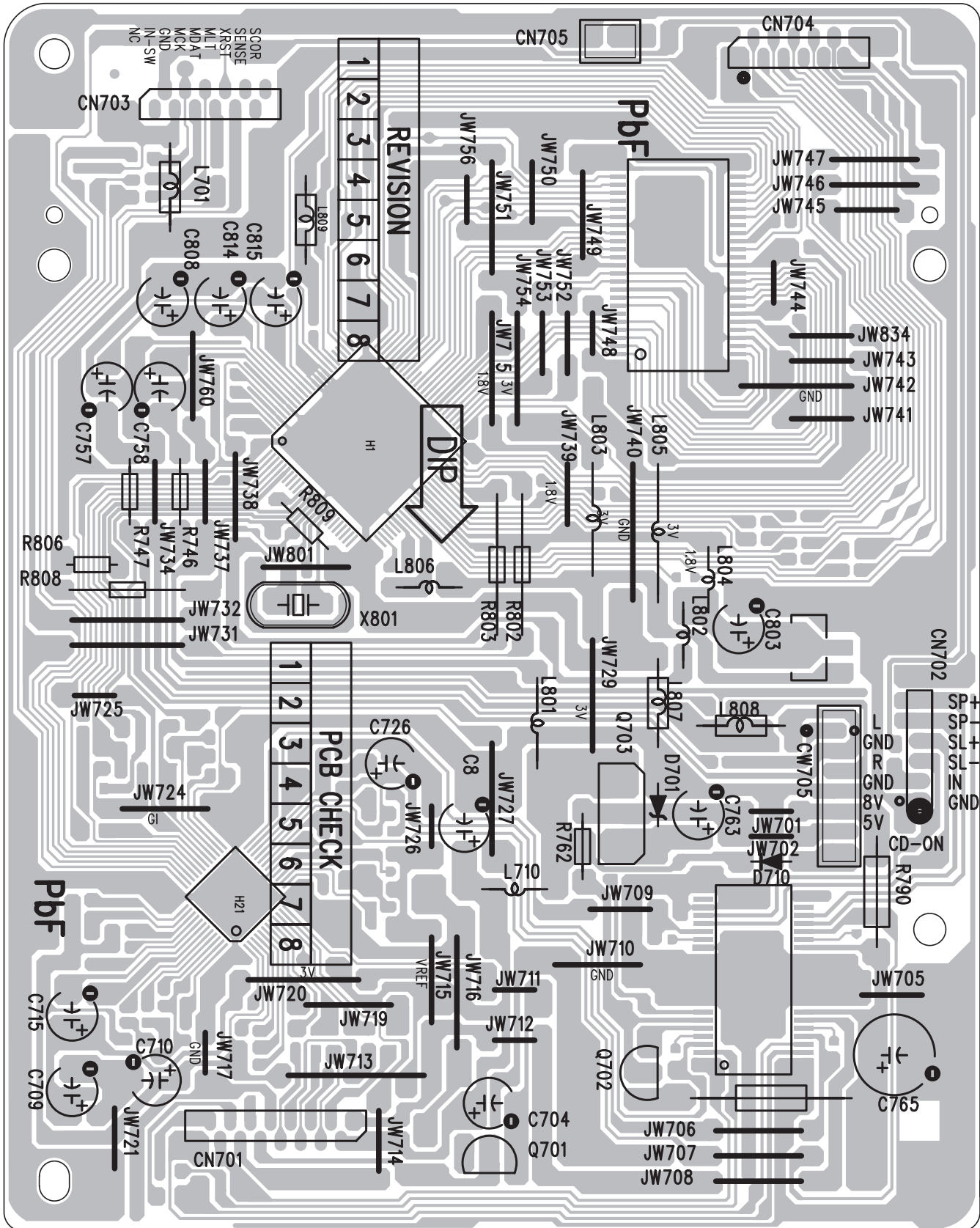


FS-H100 MAIN PWB BOTTOM
(TUNER/TAPE/FUNCTION/AMP)

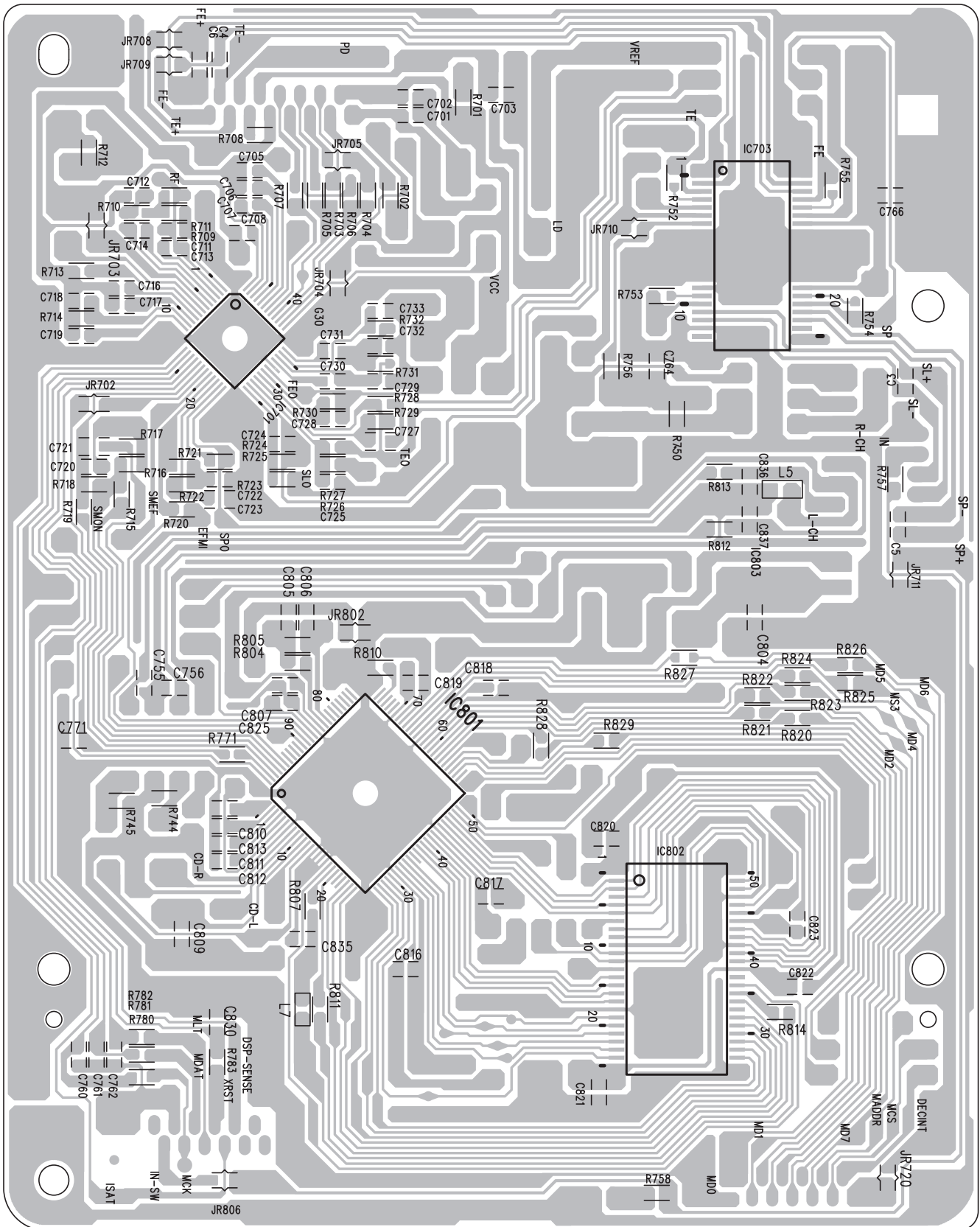


■ CD board

(Forward side)



(Reverse side)



JVC

Victor Company of Japan, Limited

AV & MULTIMEDIA COMPANY AUDIO/VIDEO SYSTEMS CATEGORY 10-1,1chome,Ohwatari-machi,Maebashi-city,371-8543,Japan

(No.MB346SCH)



Printed in Japan
VPT